



Kubota



U27-4

2-3 TONNE MINI EXCAVATOR

Easy to operate. Superior performance

Machine Weight (cabin/canopy) 2590/2490 kg

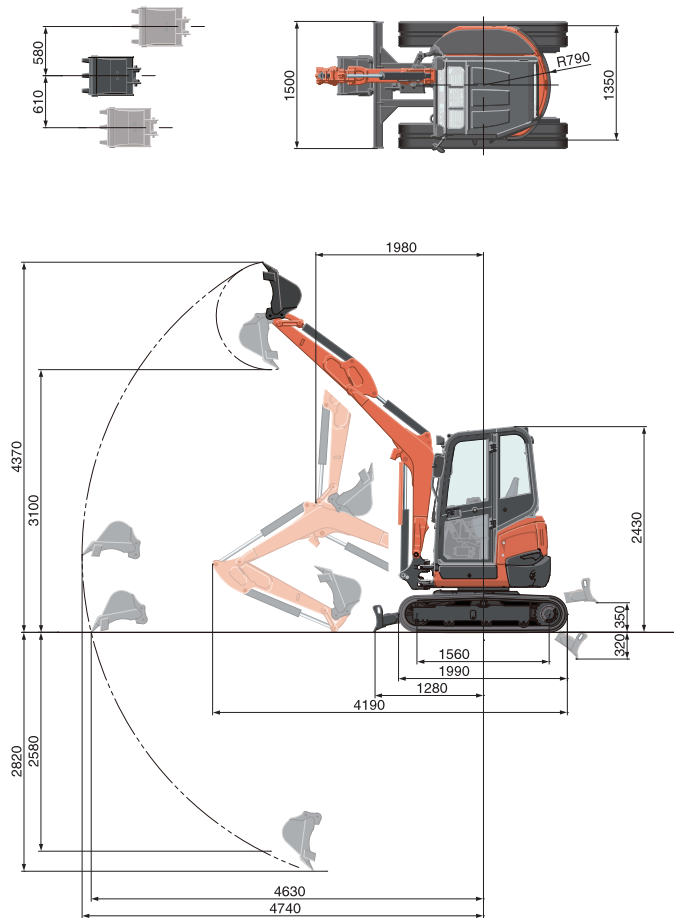
Engine output 16PS/11.8kW

U27-4 | EXCAVATOR SPECIFICATIONS

*With rubber shoe type

Model		U27-4	
Machine weight	Cabin / Canopy	kg	2590 / 2490
Operating weight	Cabin / Canopy	kg	2665 / 2565
Bucket capacity, std. SAE/CECE		m ³	0.06
Bucket width	With side teeth	mm	500
	Without side teeth	mm	450
Engine	Model		D1105-E4-BH-2
	Type		Water-cooled, diesel engine E-TVCS (Economical, ecological type)
	Output ISO9249	PS/rpm	21.2 / 2400
		kW/rpm	15.6 / 2400
	Number of cylinders		3
	Bore x Stroke		mm
Displacement		cc	1123
Overall length		mm	4190
Overall height	Cabin	mm	2430
	Canopy	mm	2420
Swivelling speed		rpm	9.8
Rubber shoe width		mm	300
Tumbler distance		mm	1560
Dozer size (width x height)		mm	1500 x 300
Hydraulic pumps	P1, P2		Variable displacement pump
	Flow rate	ℓ /min	28.8 x 2
	Hydraulic pressure	MPa (kgf/cm ²)	21.6 (220)
	P3		Gear Type
	Flow rate	ℓ /min	19.2
	Hydraulic pressure	MPa (kgf/cm ²)	17.2 (175)
Max. digging force	Arm	kN (kgf)	12.3 (1260)
	Bucket	kN (kgf)	21.0 (2140)
Boom swing angle (left/right)		deg	75 / 55
Auxiliary circuit	Flow rate	ℓ /min	48
	Hydraulic pressure	MPa (kgf/cm ²)	17.2 (175)
Hydraulic reservoir		ℓ	22
Fuel tank capacity		ℓ	33
Max. travelling speed	Low	km/h	2.5
	High	km/h	4.5
Ground contact pressure	Cabin	kPa (kgf/cm ²)	24.7 (0.25)
	Canopy	kPa (kgf/cm ²)	23.7 (0.24)
Ground clearance		mm	290

WORKING RANGE



1300 mm arm
Unit: mm

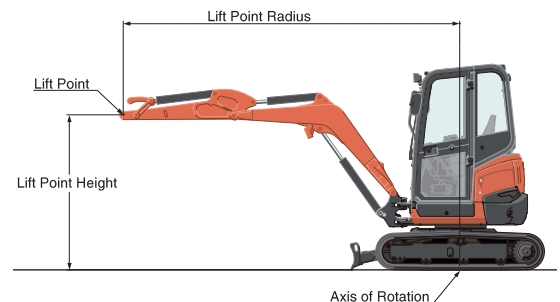
*Machine weight: with 35kg standard bucket and fully served
*Operating weight: with 75kg operator, 35kg standard bucket and fully served

LIFTING CAPACITY

Lift Point Height	Lifting point radius (2m)		Lifting point radius (max.)	
	Over-front (blade down)	Over-side	Over-front (blade down)	Over-side
1.5m	7.3 (0.74)	7.2 (0.73)	-	-
1.0m	10.2 (1.04)	6.8 (0.69)	4.2 (0.43)	2.4 (0.25)
0.5m	11.5 (1.18)	6.5 (0.67)	-	-
0m	12.3 (1.25)	6.4 (0.66)	-	-

*The lifting capacities are based on ISO 10567 and do not exceed 75% of the static tilt load of the machine or 87% of the hydraulic lifting capacities of the machine.

**The excavator bucket, hook, sling and other lifting accessories are not included on this table.



* Working ranges are with Kubota standard bucket, without quick coupler.
* Specifications are subject to change without notice for purpose of improvement.